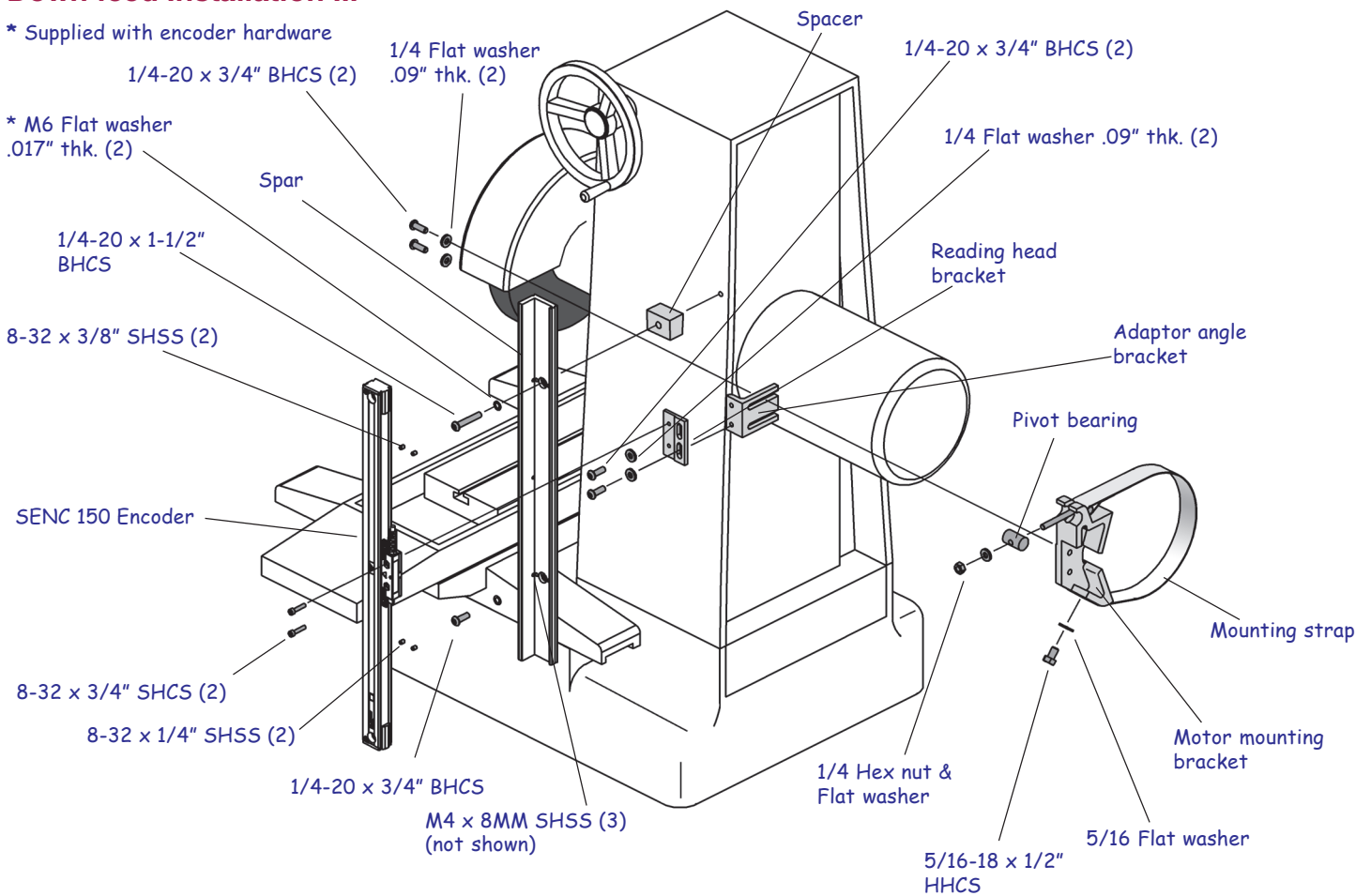


Down feed Installation ...

* Supplied with encoder hardware



Mounting Information...

These are application instructions for mounting the Down feed "Z" axis SENC 150 encoder.

Before proceeding:

- Please read the instructions completely.
- Insure that the correct length encoder is being used for the total travel.
- Keep the reading head centered during installation.
- Clean the mounting surfaces.
- Save the alignment brackets with the Encoder Reference Manual after installation is completed.

First Steps ...

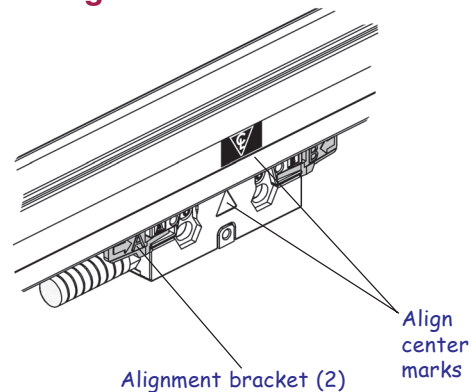
Machine

- ✓ Move the motor to its center of travel.
- ✓ Mark the axis so that it can be re-centered easily.

Encoder

- ✓ Unpack encoder in a safe, convenient location.
- ✓ Do not remove the reading head alignment brackets until instructed.

Center reading head ...



- Slide the reading head and brackets along the scale case until the center marks on the scale case and reading head are aligned.