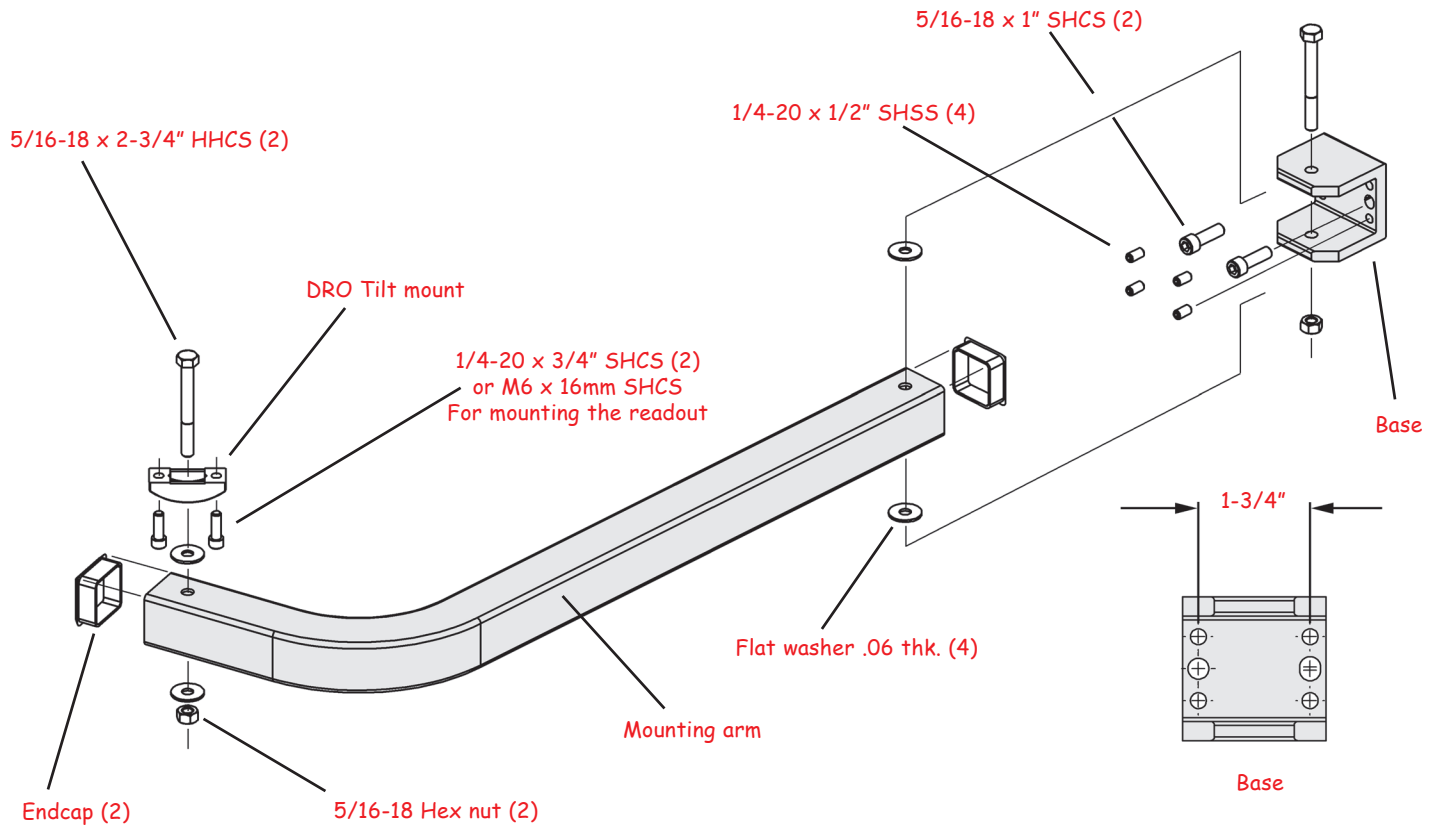


Readout Mounting Kit

Instructions For general vertical surface mounting
Bracket Kit: 382260-138

Side Mounting Bracket ...



These instructions are for mounting the DRO with the side mounting bracket and arm assembly.

Before proceeding:

- Please read the instructions completely before beginning the installation.
- Clean the mounting surface.
- DRO mounting location must not interfere with machine movement or allow the DRO to be damaged during machine operation.

Installation Steps ...

- Attach the arm to the side bracket and hold the assembly to the side of the machine (include the readout if necessary). Mark the bracket location on the machine.
- Disassemble the arm from the bracket. Hold the bracket to its mounting location and mark one mounting hole to the machine.
- Drill and tap the hole location for 5/16-18 x 5/8" deep.

- Attach the bracket with a 5/16-18 x 1" SHCS. Position the top of the bracket horizontal using a level.
- Transfer punch the second mounting hole location to the machine. Drill and tap the location for 5/16-18 x 5/8" deep. Attach the bracket loosely.
- Insert the (4) 1/4-20 x 1/2" SHSS and assemble the arm to the side bracket. Using a level, position the bracket horizontal, and the arm horizontal with the aid of the leveling screws. Secure assembly in place. Insert end caps at each end of the arm.
- Insert the 5/16-18 x 2-3/4" HHCS into the swivel / tilt bracket and attach the bracket to the readout with (2) 1/4-20 x 3/4" SHCS.
- Attach the readout assembly to the arm. Tighten the locking nuts to obtain the desired tilt and swivel tension.
- Route the cables along the arm to the back of the readout, cable ties are provided. Secure cables providing sufficient slack loops to allow for arm and readout movement.

Acu-Rite Companies Inc.

One Precision Way • Jamestown, NY 14701